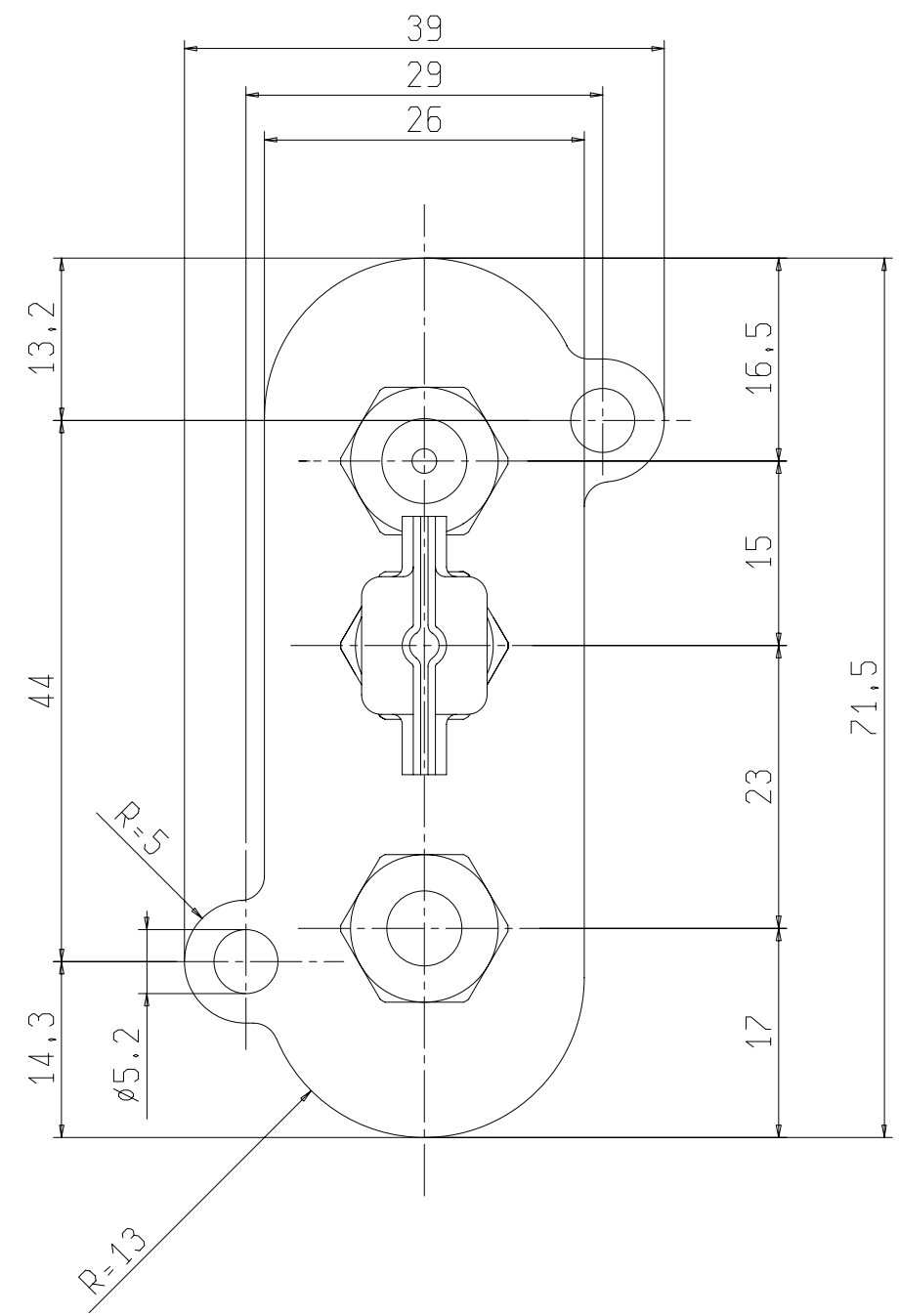
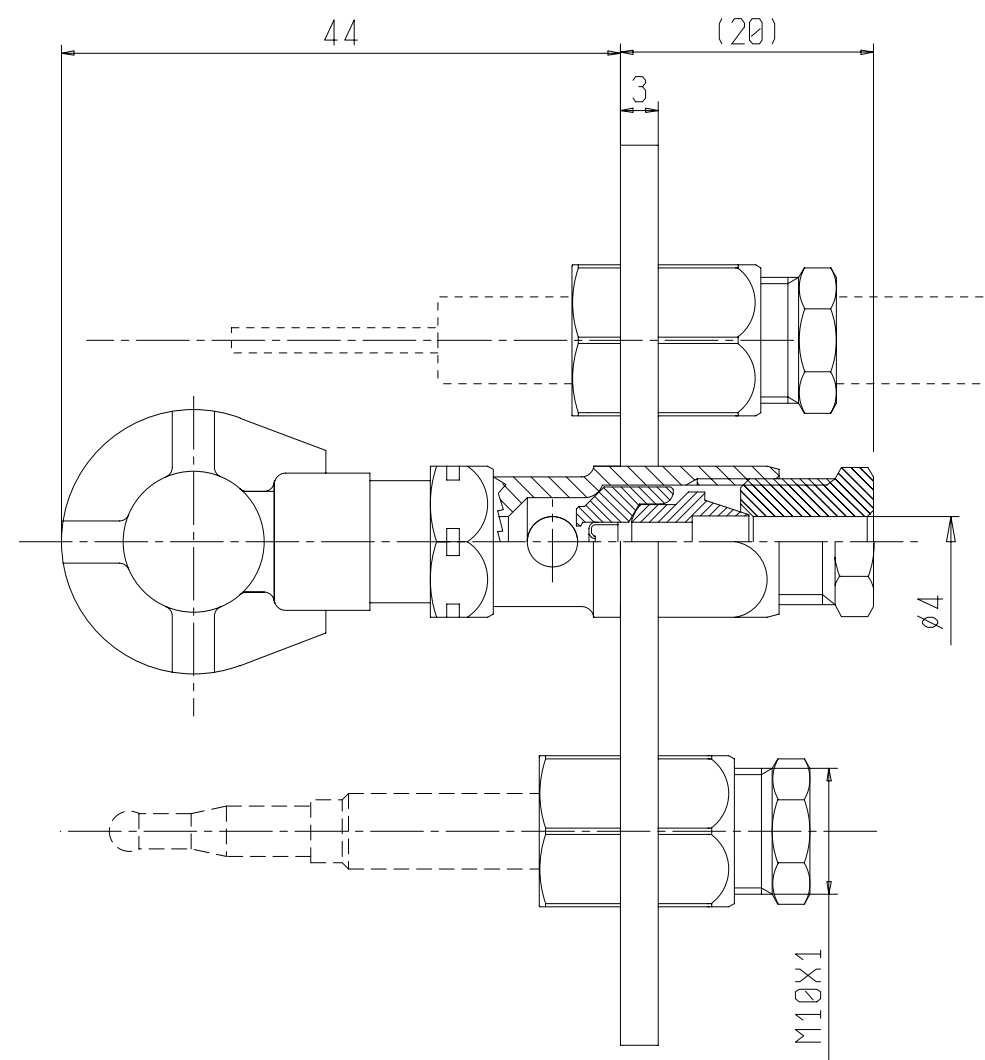


1 2 3 4 5 6 7 8



A  
B  
C  
D  
E

DIMENSIONS BETWIN [...] ARE IN INCHES  
DIMENSIONS WITHOUT TOLERANCE ARE INDICATIVE

NOME FILE (.DRW)

Rev.	Mod.N°	Date	Description	Name

Drawn	12.09.08	salmaso	Description	PILOTA 3 F VERTICALE		Release Level
Date		Name	Technical Information			
			Material	Scale	ISO	
			Material Condition	2 : 1		
			Heat Treatment	Replaces Dwg N°		
			Surface Treatment	I.M.		Frm. A3
			Sealing Surface	Surface Hardness		
			Sit Drawing N°			Rev.
			0 1 6 0 1 1 7			

This drawing may not be copied or disclosed to third person without permission of SIT. We are the owner of this drawing.  
**SIT** La Precisa S.p.A.  
35129 Padova (Italy) Viale dell'Industria 31/33